

(19)



Europäisches Patentamt
European Patent Office
Office européen des brevets



(11)

EP 0 678 329 B1

(12)

EUROPEAN PATENT SPECIFICATION

(45) Date of publication and mention
of the grant of the patent:
23.09.1998 Bulletin 1998/39

(51) Int. Cl.⁶: B01F 5/06

(21) Application number: 95105790.0

(22) Date of filing: 19.04.1995

(54) **Mixing element and method of producing the same**

Mischelement und Verfahren zu dessen Herstellung

Elément de mélange et méthode pour sa fabrication

(84) Designated Contracting States:
CH DE FR GB IT LI

(30) Priority: 19.04.1994 JP 115817/94

(43) Date of publication of application:
25.10.1995 Bulletin 1995/43

(73) Proprietor: Kojima, Hisao
Yokohama-shi, Kanagawa-ken (JP)

(72) Inventor: Kojima, Hisao
Yokohama-shi, Kanagawa-ken (JP)

(74) Representative:
Prüfer, Lutz H., Dipl.-Phys. et al
PRÜFER & PARTNER,
Patentanwälte,
Harthausen Strasse 25d
81545 München (DE)

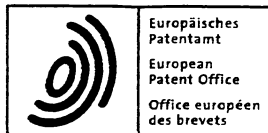
(56) References cited:
EP-A- 0 084 180 US-A- 4 747 697
US-A- 5 104 233

• PATENT ABSTRACTS OF JAPAN vol. 010, no.
094 (C-338) 11 April 1986 & JP-A-60 225 629
(H.KOJIMA) 9 November 1985

EP 0 678 329 B1

Note: Within nine months from the publication of the mention of the grant of the European patent, any person may give notice to the European Patent Office of opposition to the European patent granted. Notice of opposition shall be filed in a written reasoned statement. It shall not be deemed to have been filed until the opposition fee has been paid. (Art. 99(1) European Patent Convention).

(19)



(11)

EP 1 716 917 B1

(12)

EUROPEAN PATENT SPECIFICATION

(45) Date of publication and mention
of the grant of the patent:
27.04.2011 Bulletin 2011/17

(51) Int Cl.:
B01F 5/00 ^(2006.01) *B01D 3/26* ^(2006.01)
B01D 53/18 ^(2006.01) *B01J 19/32* ^(2006.01)

(21) Application number: **04711494.7**

(86) International application number:
PCT/JP2004/001631

(22) Date of filing: **16.02.2004**

(87) International publication number:
WO 2005/077506 (25.08.2005 Gazette 2005/34)

(54) **MIXING ELEMENT AND STATIC FLUID MIXER USING THE SAME**
MISCHELEMENT UND STATISCHER FLUIDMISCHER DAMIT
ELEMENT DE MELANGE ET MELANGEUR A FLUIDES STATIQUE AVEC SEMBLABLE

(84) Designated Contracting States:
CZ DE GB

(74) Representative: **Turner, James Arthur**
D Young & Co LLP
120 Holborn
London EC1N 2DY (GB)

(43) Date of publication of application:
02.11.2006 Bulletin 2006/44

(73) Proprietor: **Anemos Company Ltd.**
Tokyo 110-0007 (JP)

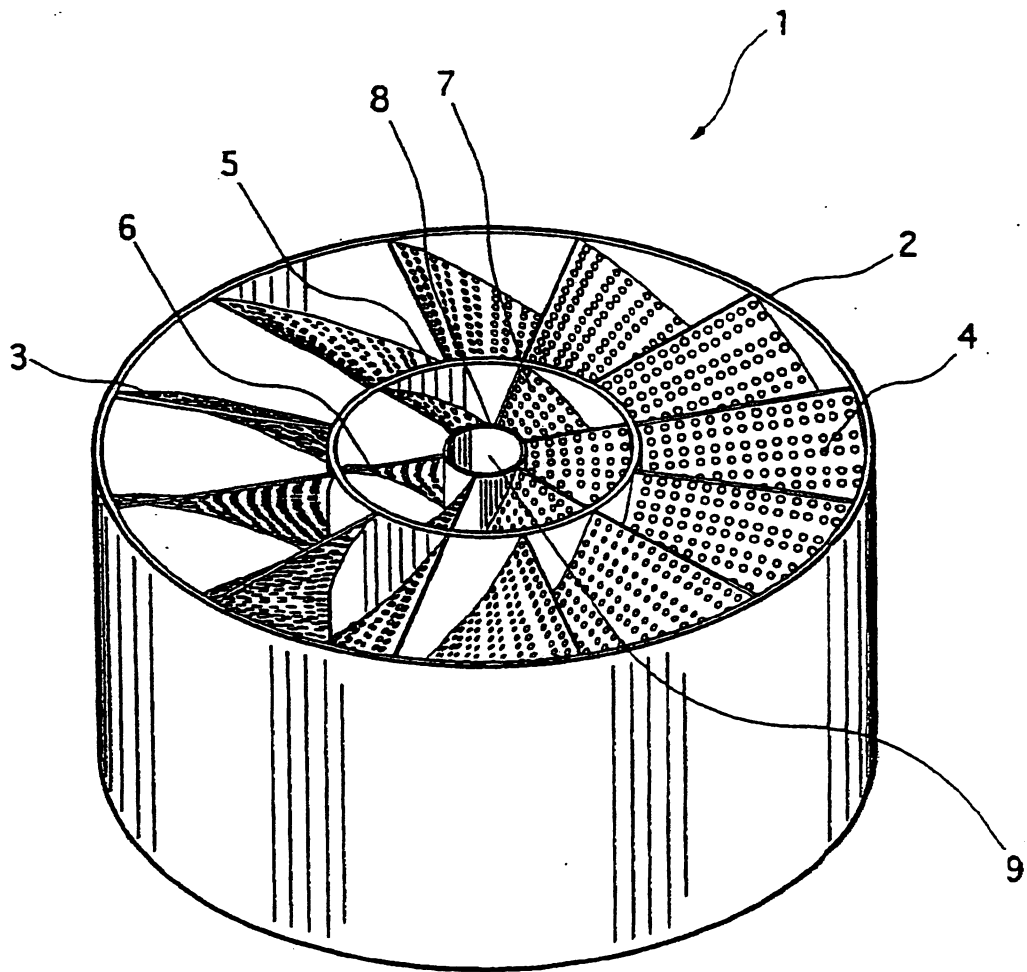
(56) References cited:
EP-A1- 0 678 329 JP-A- 11 304 067
US-A- 2 317 101

(72) Inventor: **KOJIMA, Hisao**
Yokohama-shi,
Kanagawa 230-0043 (JP)

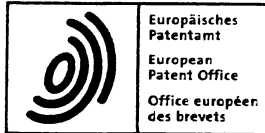
Note: Within nine months of the publication of the mention of the grant of the European patent in the European Patent Bulletin, any person may give notice to the European Patent Office of opposition to that patent, in accordance with the Implementing Regulations. Notice of opposition shall not be deemed to have been filed until the opposition fee has been paid. (Art. 99(1) European Patent Convention).

EP 1 716 917 B1

FIG. 1



(19)



(11)

EP 2 095 869 B1

(12)

EUROPEAN PATENT SPECIFICATION

(45) Date of publication and mention of the grant of the patent:
09.03.2011 Bulletin 2011/10

(51) Int Cl.:
B01F 5/02 ^(2006.01) *B01F 5/00* ^(2006.01)
B01D 53/18 ^(2006.01) *B01D 53/34* ^(2006.01)
C02F 3/20 ^(2006.01) *C02F 3/22* ^(2006.01)

(21) Application number: 09161789.4

(22) Date of filing: 29.10.2003

(54) **Air diffusing device**

Luftverteilervorrichtung

Diffuseur d'air

(84) Designated Contracting States:
AT BE BG CH CY CZ DE DK EE ES FI FR GB GR HU IE IT LI LU MC NL PT RO SE SI SK TR

(72) Inventor: **Kojima, Hisao**
Kanagawa 230-0043 (JP)

(43) Date of publication of application:
02.09.2009 Bulletin 2009/36

(74) Representative: **Körber, Martin Hans**
Mitscherlich & Partner
Patent- und Rechtsanwälte
Sonnenstraße 33
80331 München (DE)

(62) Document number(s) of the earlier application(s) in accordance with Art. 76 EPC:
03818906.4 / 1 679 112

(56) References cited:
WO-A-01/85623 WO-A-94/01212
GB-A- 2 063 694 GB-A- 2 249 969
US-A- 1 144 342 US-A- 4 780 217

(73) Proprietor: **Anemos Company Ltd.**
Tokyo 110-0007 (JP)

EP 2 095 869 B1

Note: Within nine months of the publication of the mention of the grant of the European patent in the European Patent Bulletin, any person may give notice to the European Patent Office of opposition to that patent, in accordance with the Implementing Regulations. Notice of opposition shall not be deemed to have been filed until the opposition fee has been paid. (Art. 99(1) European Patent Convention).